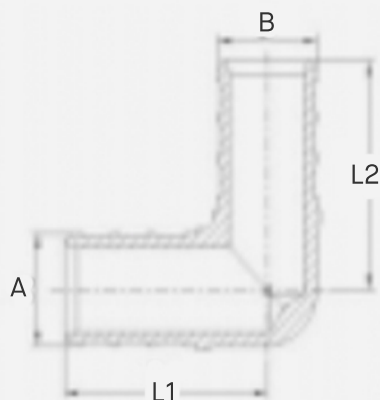


PEX Crimp 90° Elbow

Lead Free Brass

FEATURES

- **Lead Free** – The C46500 brass meets ASTM F1807 lead-free alloy for safe and effective use in commercial and residential jobs.
- **Built for Versatility** - Can withstand temperatures of up to 200° F for use in a wide variety of systems
- **High Pressure Tolerance** - Able to withstand maximum pressure of 200psi



SKU	Size	A	B	L1	L2
PXE038	3/8" x 3/8"	.34"	.34"	.93"	.93"
PXE050	1/2" x 1/2"	.47"	.47"	.96"	.96"
PXE050-075	1/2" x 3/4"	.47"	.67"	1.06"	.98"
PXE058	5/8" x 5/8"	.57"	.57"	1.02"	1.02"
PXE075	3/4" x 3/4"	.67"	.67"	1.06"	1.06"
PXE100	1" x 1"	.86"	.86"	1.34"	1.34"